

THIS DRAWING IS UNPUBLISHED. RELEASED FOR PUBLICATION
 © COPYRIGHT BY TYCO ELECTRONICS CORPORATION. ALL RIGHTS RESERVED.

LOC	DIST	REVISIONS					
ES	00	P	LTR	DESCRIPTION	DATE	DWN	APVD
			A	ADDED THE NEW DASH NUMBER -2	26SEP2013	ML	SZ

R0.50 MAX PERMITTED ON ALL CORNERS EXCEPT WHERE SHOWN

Ø7.40±0.08
 Ø0.10 (M) D (M)

Ø5.40±0.08
 Ø0.10 (M) C A B (S)
 -D-

NO BREAKOUT PERMITTED

9.70±0.08

5.50

Ø3.175±0.08
 DRILLED HOLE
 3 PLC
 Ø0.15 (M) X Y
 Ø0.08 (M)

3.95 REF

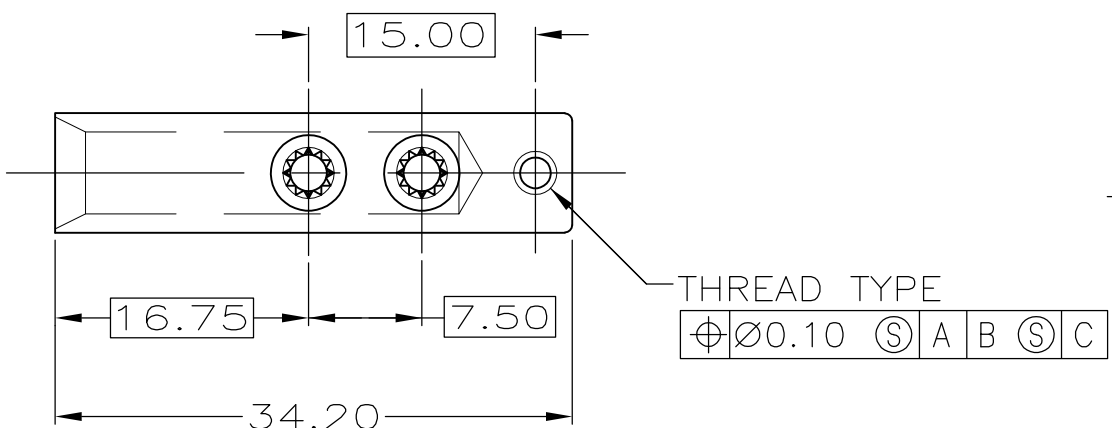
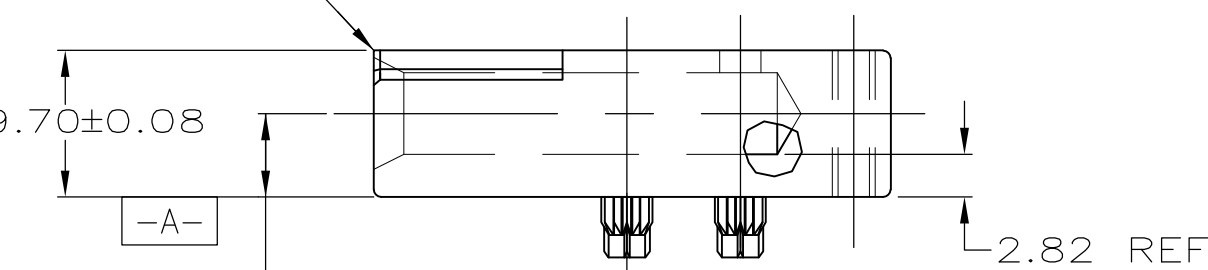
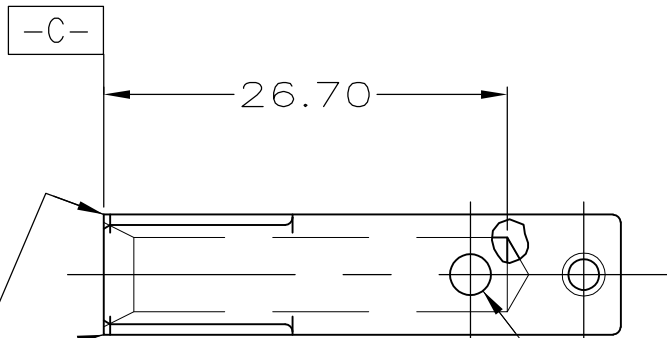
7.50

15.00

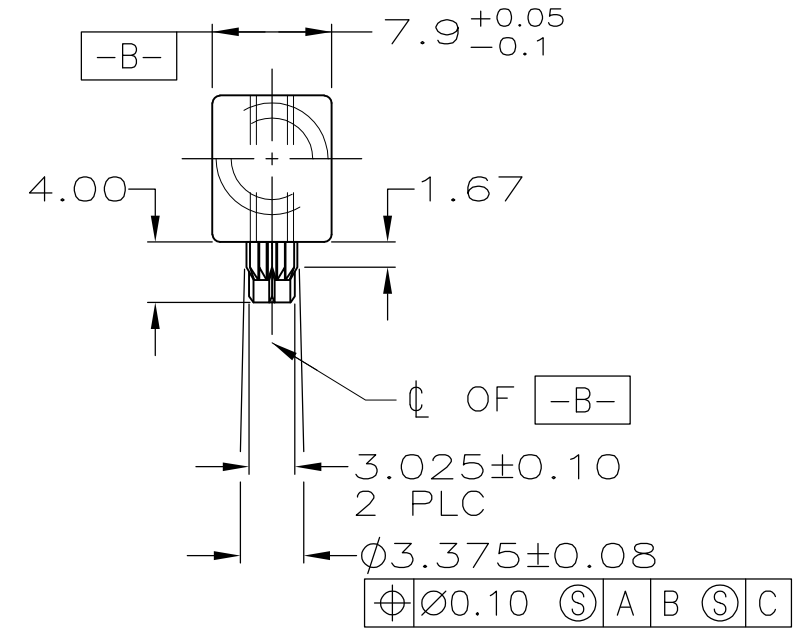
5.75

11.00

FOOTPRINT



1 MATERIAL: ZINC ALLOY DIE CASTING, ZAMAK 3.
 2 SURFACE FINISH: CHROMATE CONVERSION COATING. (ROHS COMPATIBLE).



M3	5223979-2
#4-40 UNC-2B	5223979-1
THREAD TYPE	PART NUMBER

THIS DRAWING IS A CONTROLLED DOCUMENT.		DWN	J. POLIGNONE	05APR05	tyco Electronics	Tyco Electronics Corporation Harrisburg, Pa 17105-3608			
DIMENSIONS: mm		CHK	R. PATTERSON	05APR05		NAME			
TOLERANCES UNLESS OTHERWISE SPECIFIED:		APVD	R. PATTERSON	05APR05	PRODUCT SPEC				
0 PLC ± -		APPLICATION SPEC		NAME					
1 PLC ± -		-		MODULE, FEMALE GUIDE, UNIVERSAL POWER MODULE					
2 PLC ± 0.13		-		SIZE	CAGE CODE	DRAWING NO	RESTRICTED TO		
3 PLC ± -		-		A3	00779	C-5223979	-		
4 PLC ± -		-		CUSTOMER DRAWING				SCALE	SHEET
ANGLES ± -		-		-				2:1	1 OF 1
FINISH		-		-				REV	A
1		2		-				-	